

**Model: HLS-GMU-01**

**Features:**

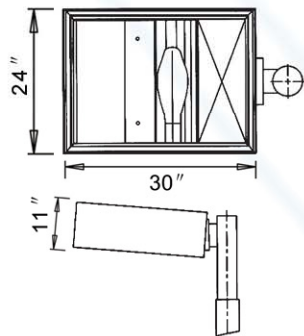
Housing: Made From a Sturdy Single Piece Extrusion Aluminium

Reflector: Anodized High Purity Aluminium

Lens: Tempered Glass

Mounting Position: Street, Industrial Area, Commercial Area, ect.

Wattage Lamp	Volts	Ballast Type	Lamp Type
250W MH	Quad V	CWA	ED28/MOG
400W MH	Quad V	CWA	ED28/MOG
250W HPS	Quad V	CWA	ED28/MOG
400W HPS	Quad V	CWA	ED28/MOG



**Model: HLS-GMU-02**

**Feature:**

Housing: Made From a Sturdy Single Piece Extrusion Aluminium

Reflector: Anodized High Purity Aluminium

Lens: Tempered Glass

Mounting Position: Street, Industrial Area, Commercial Area, ect.

Wattage Lamp	Volts	Ballast Type	Lamp Type
1000W MH	Quad V	CWA	BT56/MOG
1000W HPS	Quad V	CWA	BT56/MOG